

Type **TSA1 H₂**

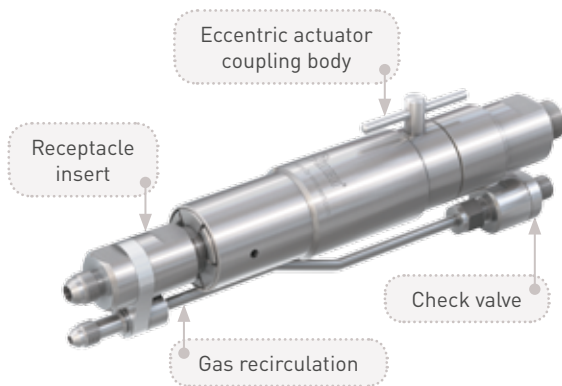
WEH[®] Breakaway Coupling

for car fuelling stations



General

DESCRIPTION



Features

- Re-usable without factory reservicing
- Installation at the dispenser
- Small compact design
- Integrated cleanable filter (40 resp. 20 micron)
- Check valve at venting line
- No additional tool necessary

The WEH[®] TSA1 H₂ Breakaway Coupling offers additional safety for your car fuelling station. The breakaway is installed between the dispenser and the filling hose resp. filling and venting hose. In the event of accidental deployment, e.g. driving a vehicle from the dispenser with the nozzle remaining in the vehicle fuel port, the coupling will separate the connections between dispenser and hose sealing both ends. This protects largely the receptacle, the fuelling nozzle and the dispenser against damage. The detached coupling can be easily reattached and placed back in service after having been function tested. The integrated filter provides clean hydrogen and is easy to maintain. The WEH[®] Breakaway Coupling consists of a coupling body, a receptacle insert and a gas recirculation with check valve. The breakaway is also available without gas recirculation. The TSA1 H₂ for fuelling nozzles with data interface additionally contain a dispenser mounting incl. data cable for the data interface.

On request we also offer complete nozzle-hose-assemblies consisting of a fuelling nozzle, a hose set and a breakaway coupling.

Application

Breakaway coupling for car fuelling stations for direct installation at the dispenser.

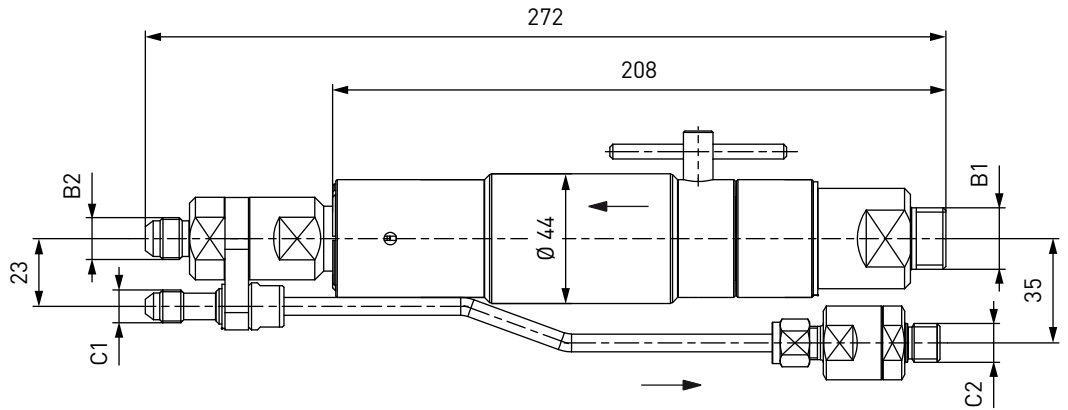
TECHNICAL DATA

Characteristic	Basic version	Options
Nominal bore DN	Max. 8 mm, depending on design	On request
Pressure range	PN = 350 bar (5,000 psi) PS = 450 bar PT = 675 bar	
Temperature range	-40 °C up to +85 °C [-40 °F up to +185 °F]	On request
Breakaway force	300 - 600 N	On request
Material	Corrosion resistant stainless steel, aluminium	On request
Sealing material	Hydrogen compatible	On request
Design	With resp. without gas recirculation With filter (40 resp. 20 micron) Incl. dispenser mounting and data cable (only for breakaways for fuelling nozzles with data interface)	On request
Registration	PED97/23/EC: CE0036	

Ordering

ORDERING | WEH® TSA1 H₂ Breakaway Coupling with gas recirculation, external thread

approx. dimensions (mm)

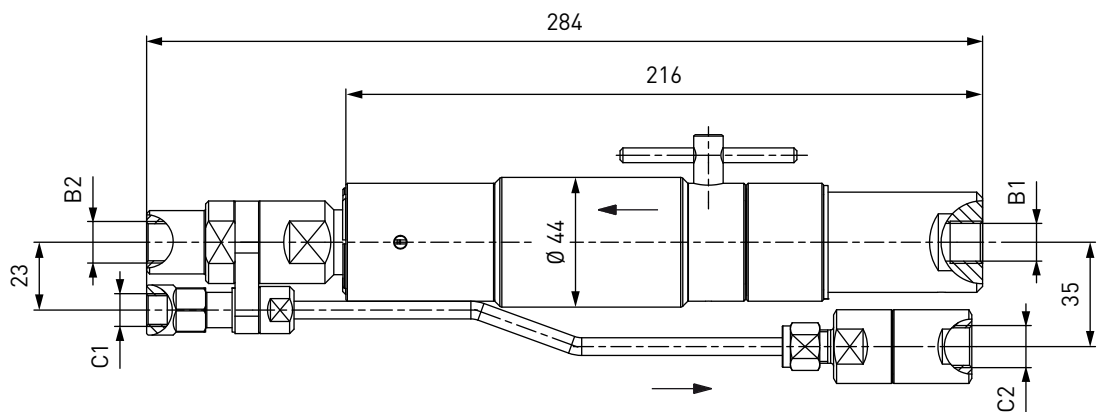


Part No.	Description	DN	Pressure (PN)	B1 (external thread)	B2 (external thread)	C1 (external thread)	C2 (external thread)
C1-18834	TSA1 H ₂ with filter (40 micron)	8	350 bar / 5,000 psi	G1/2"	UNF 9/16"-18*	UNF 7/16"-20*	G1/4"
C1-67741	TSA1 H ₂ with filter (20 micron)	8	350 bar / 5,000 psi	G1/2"	UNF 9/16"-18*	UNF 7/16"-20*	G1/4"

* acc. to SAE J514, 37°

ORDERING | WEH® TSA1 H₂ Breakaway Coupling with gas recirculation, internal thread

approx. dimensions (mm)



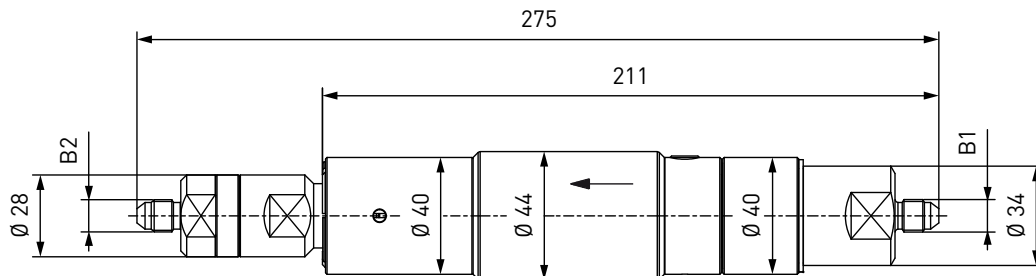
Part No.	Description	DN	Pressure (PN)	B1/B2 (internal thread)	C1 (internal thread)	C2 (internal thread)
C1-99345	TSA1 H ₂ with filter (40 micron)	5	350 bar / 5,000 psi	UNF 9/16"-18*	UNF 7/16"-20*	UNF 9/16"-18*

* 60° cone, MP-fitting

Ordering

ORDERING | WEH® TSA1 H₂ Breakaway Coupling without gas recirculation, external thread

approx. dimensions (mm)

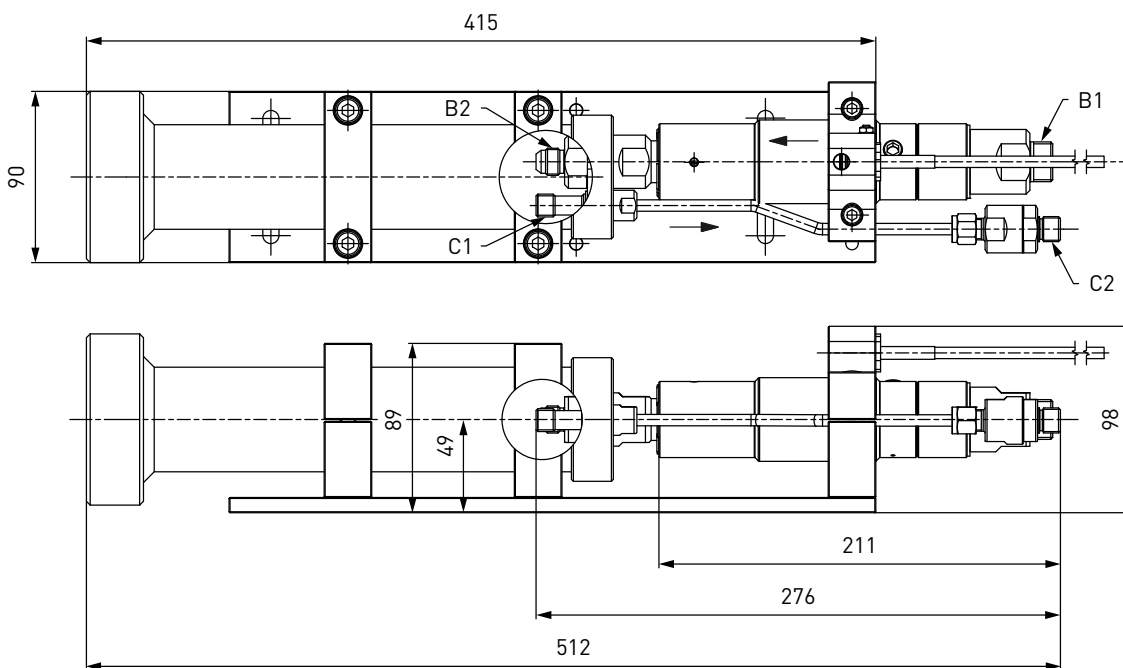


Part No.	Description	DN	Pressure (PN)	B1 (external thread)	B2 (external thread)
C1-111068	TSA1 H ₂ with filter (40 micron)	4	350 bar / 5,000 psi	UNF 7/16"-20*	UNF 7/16"-20*

* acc. to SAE J514, 37°

ORDERING | WEH® TSA1 H₂ Breakaway Coupling with gas recirculation, for data interface

approx. dimensions (mm)



Part No.	Description	DN	Pressure (PN)	B1 (external thread)	B2 (external thread)	C1 (external thread)	C2 (external thread)
C1-90679	TSA1 H ₂ with filter (40 micron)	4	350 bar / 5,000 psi	G1/2"	UNF 9/16"-18*	M12x1.5**	G1/4"

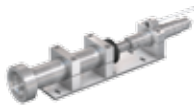
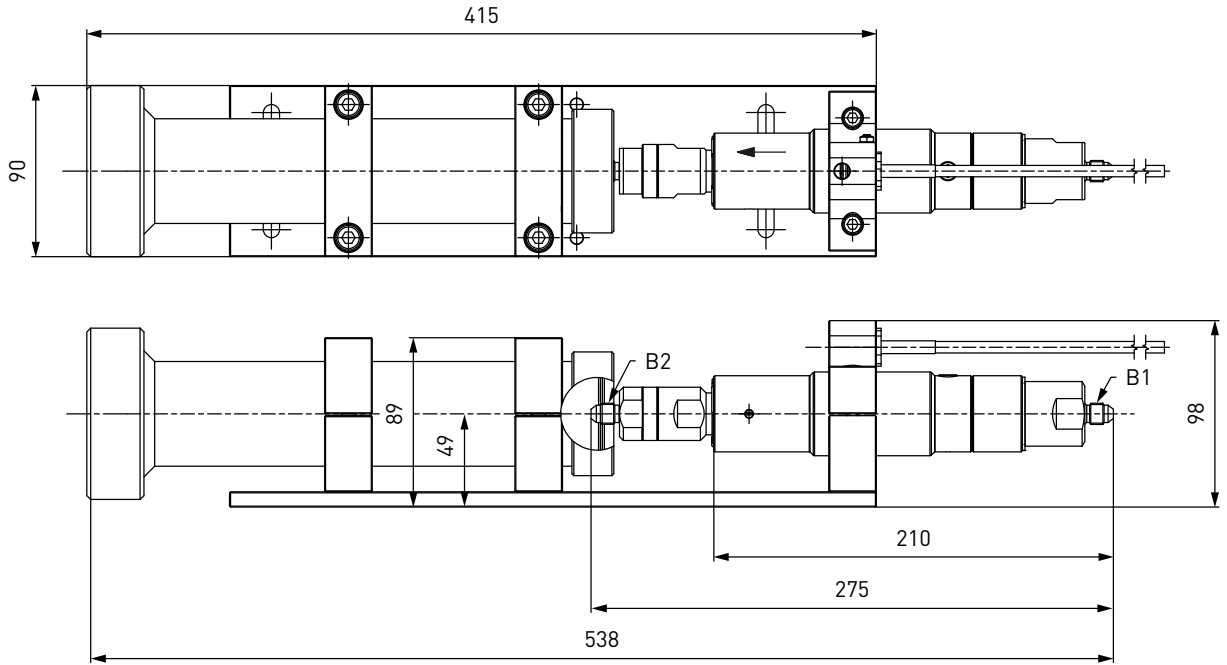
* acc. to SAE J514, 37°

** 24° inner cone

Ordering

ORDERING | WEH® TSA1 H₂ Breakaway Coupling without gas recirculation, for data interface

approx. dimensions (mm)



Part No.	Description	DN	Pressure (PN)	B1 (external thread)	B2 (external thread)
C1-111069	TSA1 H ₂ with filter (40 micron)	4	350 bar / 5,000 psi	UNF 7/16"-20*	UNF 7/16"-20*

* acc. to SAE J514, 37°

Accessories

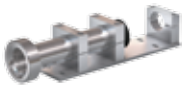
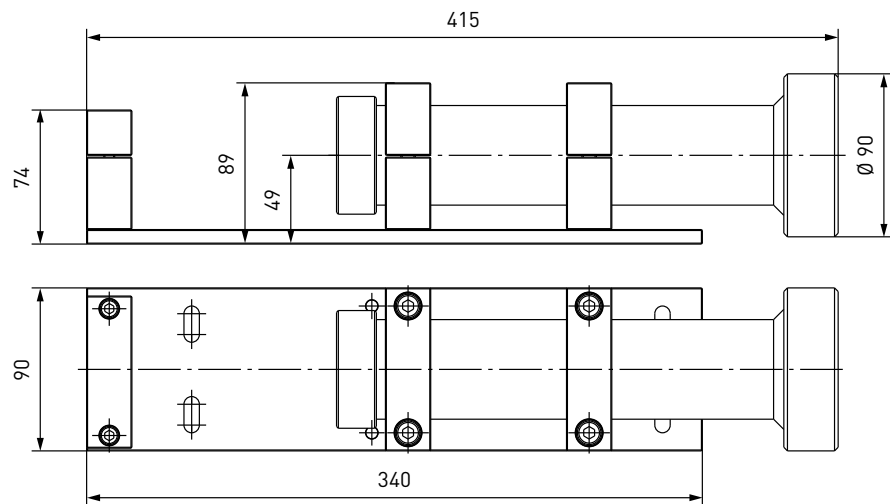
ACCESSORIES

The following accessories are available for the WEH® TSA1 H₂ Breakaway Coupling:

Dispenser mounting for breakaway coupling

The breakaway coupling can also be used with a dispenser mounting. The mounting is firmly attached to the dispenser. The integrated guide tube provides a straight pull-off force. The dispenser mounting can be used instead of a return pulley (hose pulley).

approx. dimensions (mm)



Bestellnummer	Beschreibung
C1-69275	Dispenser mounting for TSA1 H ₂ in combination with TK16 H ₂ or TK17 H ₂ 35 MPa

Return pulley (hose pulley)

Return pulley for breakaway couplings without dispenser mounting to be used at H₂ fuelling stations.



Part No.	Description
C1-46287	Return pulley (hose pulley)

Accessories

Filling and venting hoses

Suitable filling and venting hoses for the TSA1 H₂ breakaway coupling are available on request.

Fittings

Stainless steel fittings for connecting port 'B2' to the filling hose resp. port 'C1' to the venting hose are available on request.

Spare parts

Various parts are available as spares for the TSA1 H₂ breakaway coupling.

Part No.	Description
W94249	Receptacle insert for TSA1 H ₂ with gas recirculation (C1-18834, C1-67741)
W108401	Receptacle insert for TSA1 H ₂ with gas recirculation (C1-99345)
W74608	Receptacle insert for TSA1 H ₂ without gas recirculation (C1-111068, C1-111069)
W108154	Receptacle insert for TSA1 H ₂ with gas recirculation (C1-90679)
C1-119056	Spare seal set for receptacle insert W94249, W108401, W108154
C1-119054	Spare seal set for receptacle insert W74608
E69-9061	Wire filter insert 40 micron (incl. spring and o-ring)
E69-67754	Wire filter insert 20 micron (incl. spring and o-ring)
E69-46414	Copper disc for G1/4" external thread (port C2)
E69-45950	Copper disc for G1/2" external thread (port B1)

Other products

OTHER PRODUCTS

You will find more products in our current catalogue no. 50



Further information on our homepage
www.weh.com

© All rights reserved, WEH GmbH 2014. Any unauthorized use is strictly forbidden. Subject to alteration. No liability will be assumed for any content. Herewith previous versions are no longer valid.

» Contacting

For queries and further information, please do not hesitate to contact us.

Manufacturer:

WEH GmbH Gas Technology

Josef-Henle-Str. 1
89257 Illertissen / Germany

Phone: +49 7303 95190-0

Fax: +49 7303 95190-9999

eMail: h2sales@weh.com

www.weh.com